

# SEGO TOWER

SEGO MODULAR LIGHTBOX DISPLAY  
PRODUCT CODE: SEGO-TOWER



On frame On graphic



Includes (qty 8) SEGO Travel Bags  
(qty 1) Bag Per Frame

## PRODUCT DESCRIPTION

The SEGO Tower is a striking and versatile display solution, utilizing the SEGO Modular Lightbox Display system to create a large, illuminated tower. Designed for easy assembly, the SEGO Tower features the innovative SEGO stacking pole connector, allowing two SEGO frames to be securely stacked. Combined with the SEGO inside L connector, this system enables seamless tower construction.

The SEGO Tower showcases vibrant, custom dye sublimated fabric graphics with Silicone Edge Graphic (SEG) finishing, ensuring effortless graphic installation and quick change-outs. Built-in LED edge lighting provides brilliant, evenly distributed illumination to enhance your branding. Each SEGO frame comes with its own travel bag for convenient transport and storage.

Elevate your trade show presence with the SEGO Tower—an eye-catching, modular, and backlit display solution.

\*Please check your tradeshow guidelines to make sure this configuration conforms to the show regulations.

DISPLAY DIMENSIONS	48.9"W x 177.2"H x 39.45"D
<b>GRAPHIC MATERIAL</b>	
Dye Sub Backlit Fabric	
<b>GRAPHIC FINISHING</b>	
12mm x 3mm silicone beading is sewn around the perimeter of the fabric graphic. Silicone beading is hidden from view once installed.	
<b>DISPLAY CONSTRUCTION</b>	
Aluminum extrusion frame with plastic components	
<b>SHIPPING WEIGHTS &amp; DIMENSIONS</b>	
Shipping Weight	Graphic Package 286lbs Total (8 Boxes)
	Hardware Only 230 lbs Total (8 Boxes)
	Graphic Only 3 lbs (1 Graphic Panel)
Shipping Dimensions	Graphic Package & Hardware Only 54.5"W x 15.5"H x 6.75"D (Each Box) 8 Boxes Total
	Graphic Only Polybag - (1 Graphic Panel)

## LED LIGHT SPECIFICATION

BRAND	Osram
POWER	3W
CCT (COLOR TEMP)	6800k
AVERAGE BEAM ANGEL	20 °
LM/W	130
AVG LM/M <sup>2</sup>	4800-5800
VOLTAGE INPUT	24V

## LUMENS (EACH FRAME)

VOLTAGE (V)	24
POWER (W)	270
LM/W	130
TOTAL LM	35100
AVG LM	5850
CU	.8
EAV	4680

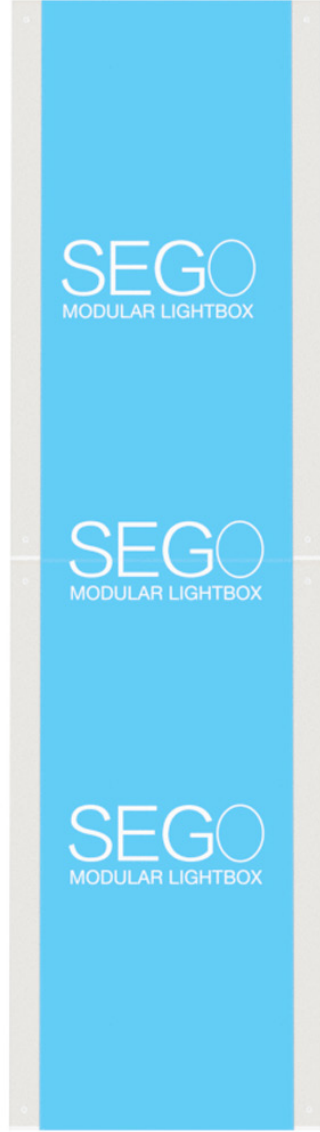
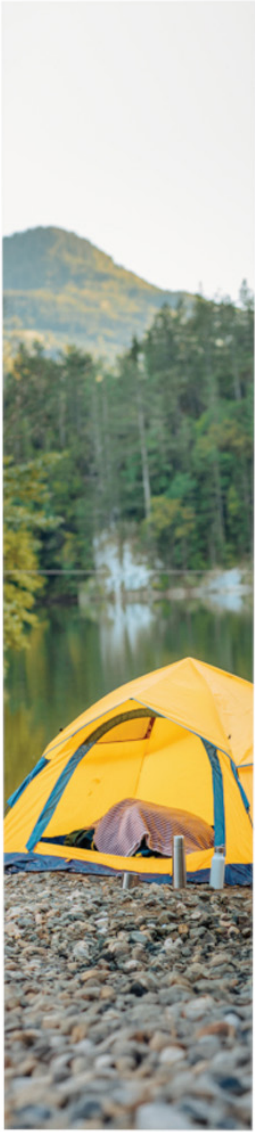
## TRANSFORMER SPECIFICATION

POWER RATE 2 TRANSFORMERS	95W, 252W
CERTIFICATES	UL, CE, GEM
VOLTAGE INPUT	100-240V
VOLTAGE OUTPUT	24V

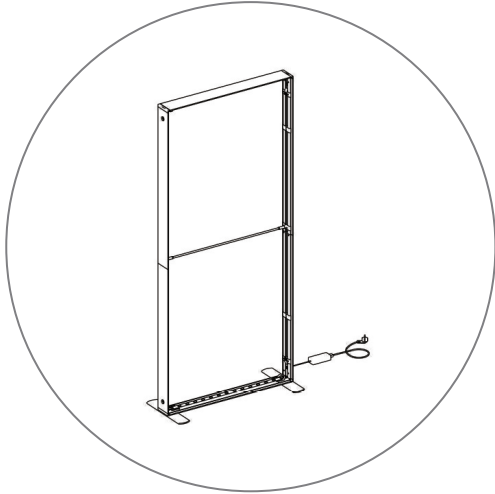
# SEGO TOWER

SEGO MODULAR LIGHTBOX DISPLAY  
PRODUCT CODE: SEGO-TOWER

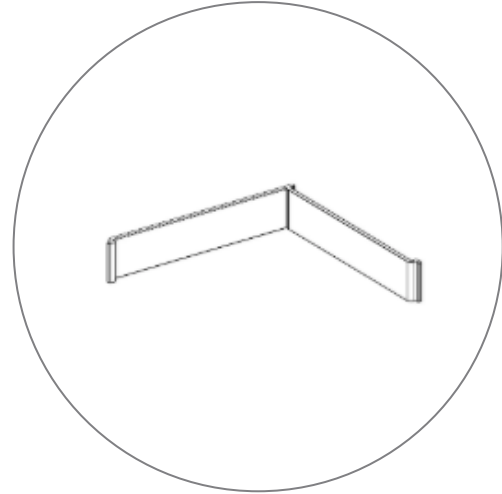
INDOOR  
USE



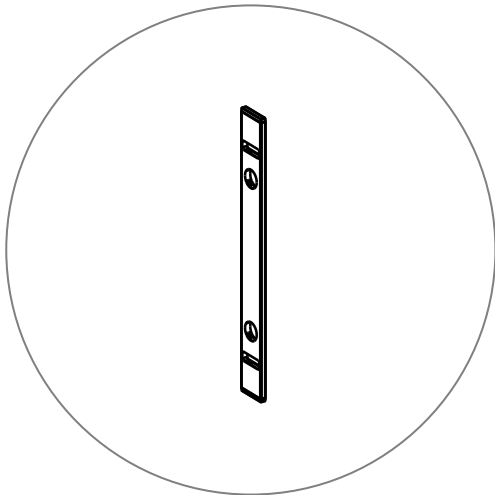
## HARDWARE PARTS LIST



(qty 8)  
SEGO-100X225X12

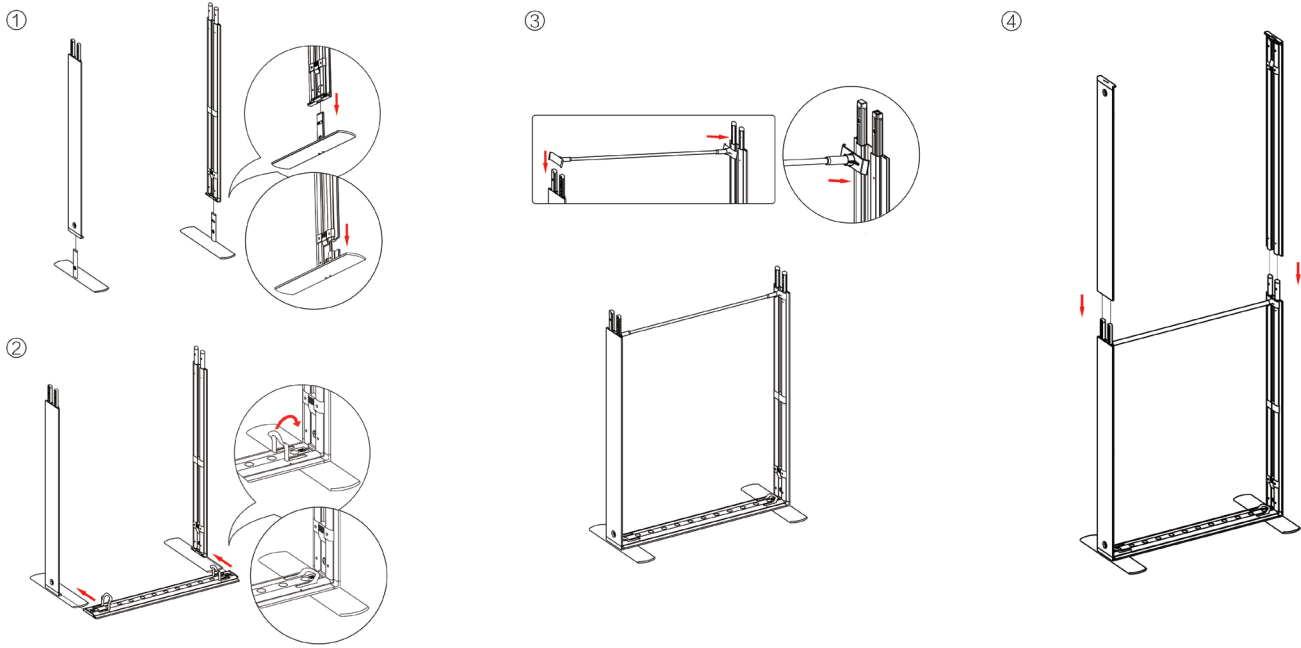


(qty 16)  
SEGO-ILCON

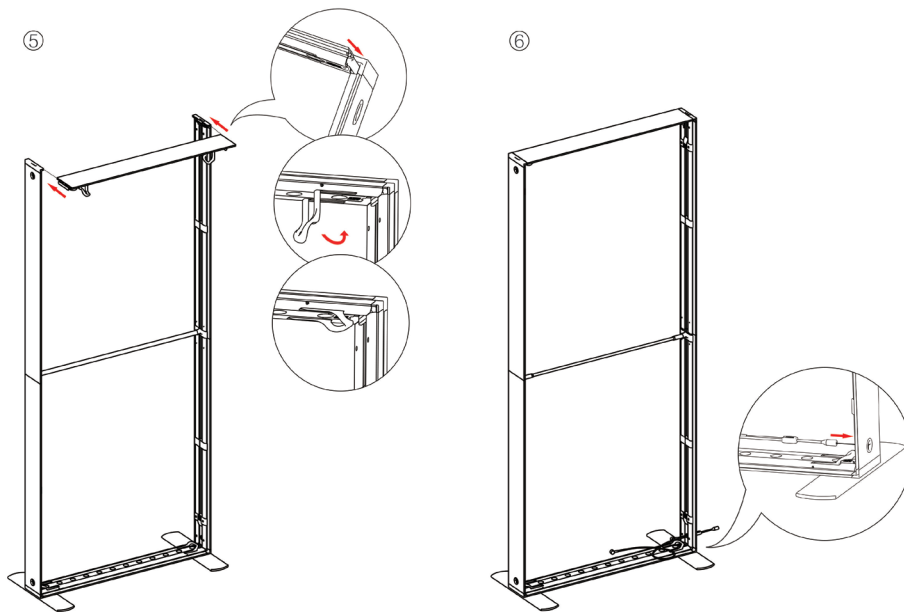


(qty 8)  
SEGO-SPOLE

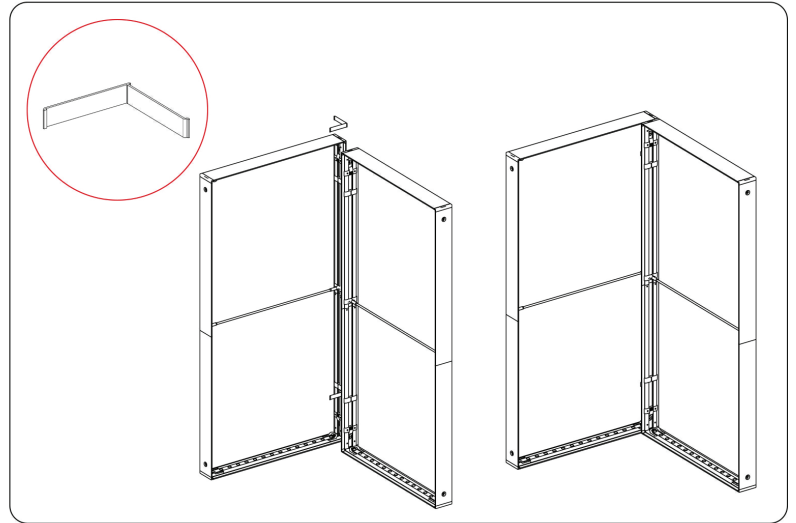
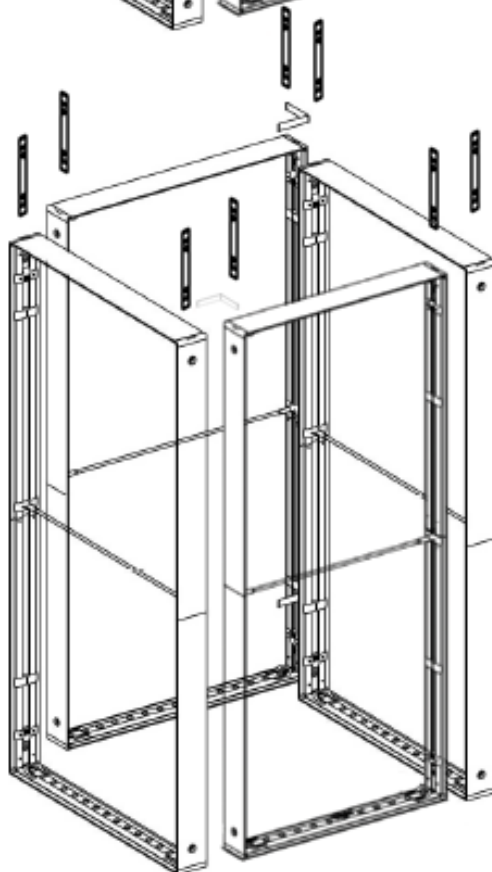
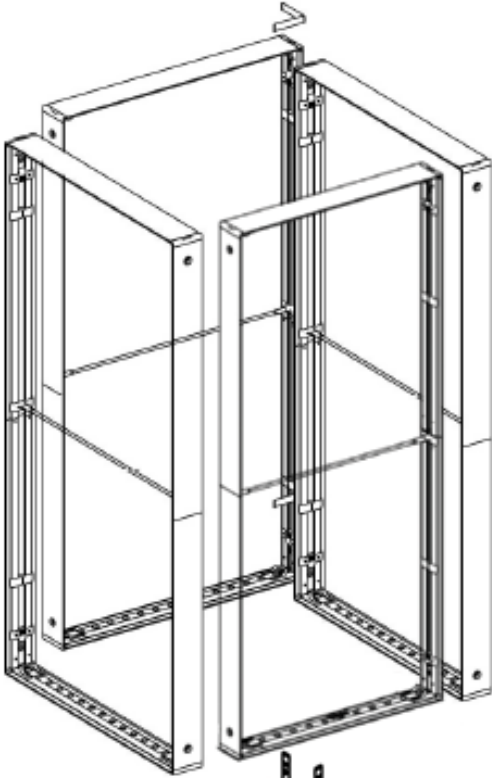
## SINGLE FRAME ASSEMBLY



\*Foot Installation is not required for tower configuration



## FRAME CONNECTION



Each corner will require (qty 2) SEGO-ILCON  
(qty 8) SEGO-ILCON is required for the bottom level  
and (qty 8) SEGO-ILCON is required for the top level

We recommend show site installation team of 3-4  
people for configuration setup  
2 tall ladders or scissor lift will also be required

1. Start by assembling each frame individually
2. Connect the 4 bottom level frames to form the base
3. Insert the SEGO-SPOLES into the each corner slot
4. Stack each top level frame individually and connecting the SEGO-ILCON as you go
5. Once tower frame has been assembled, skin each frame individually to complete setup