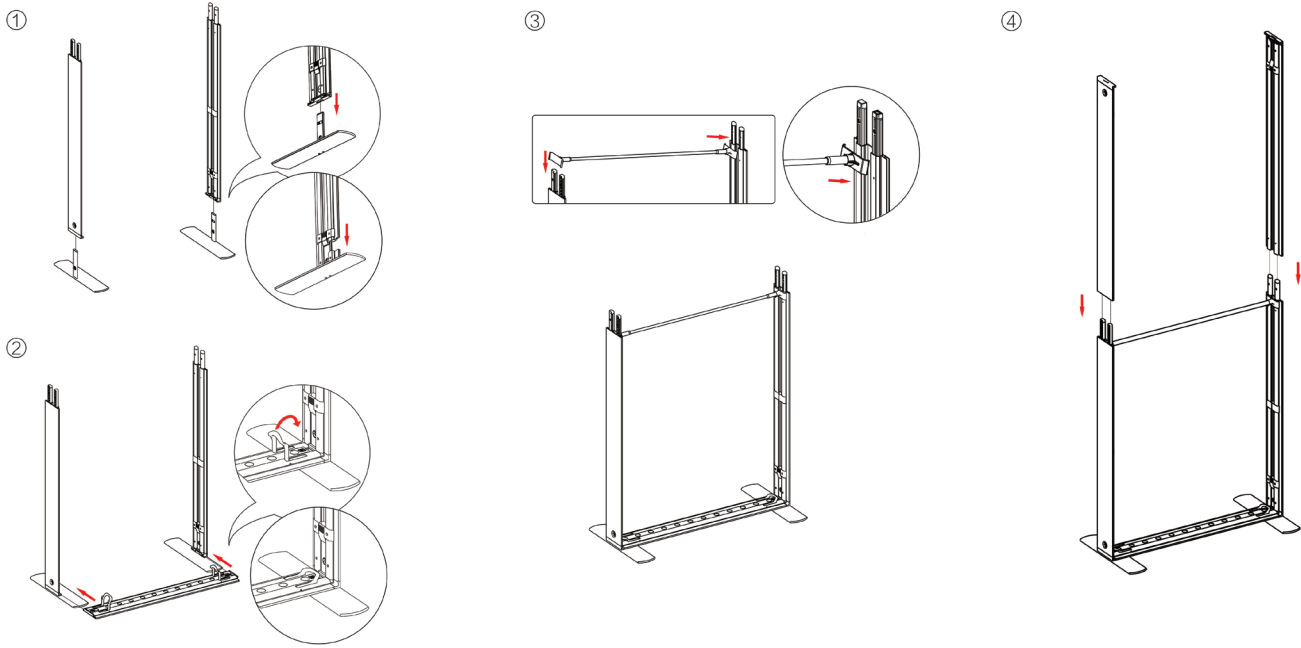
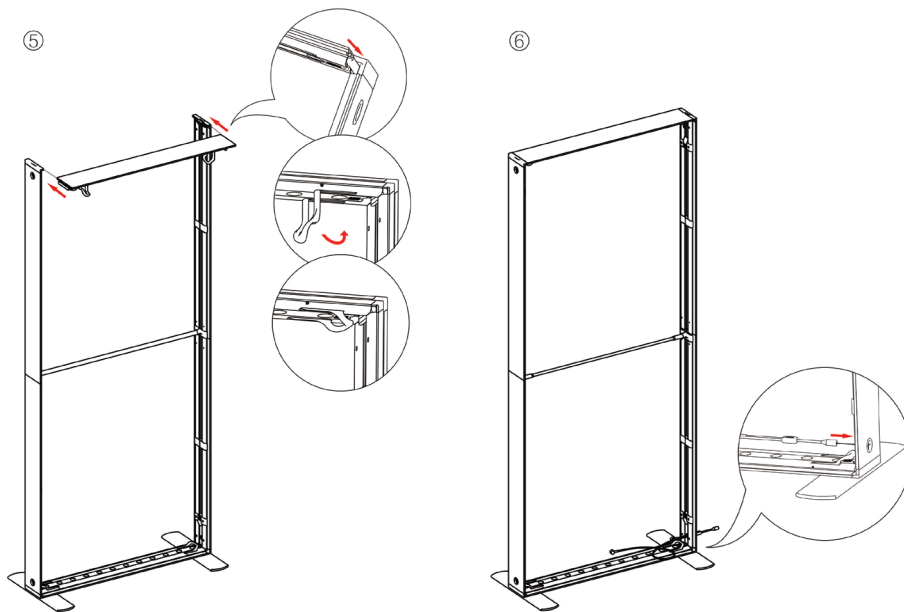


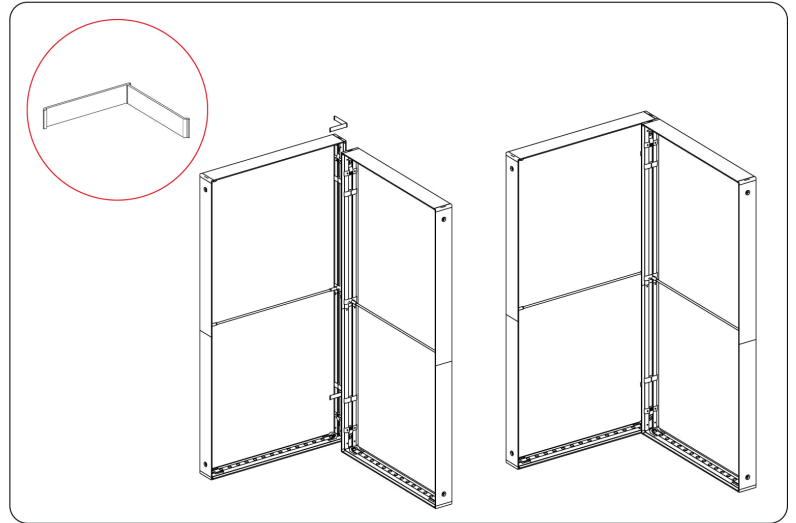
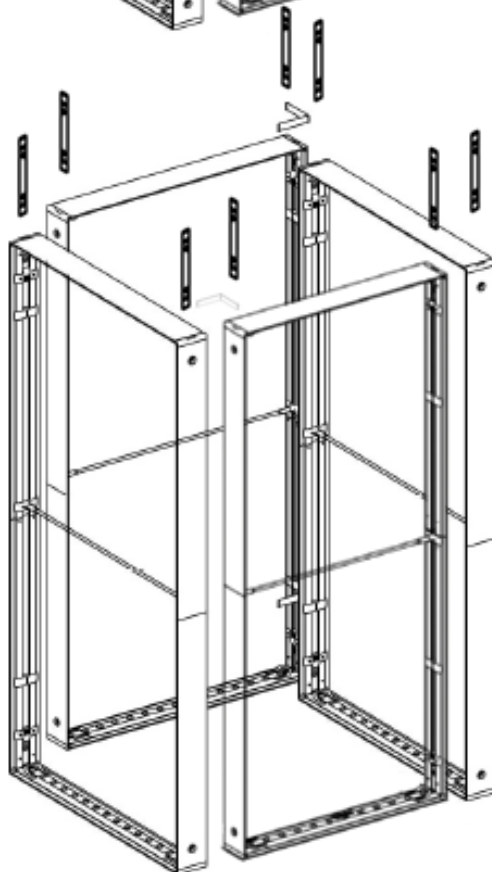
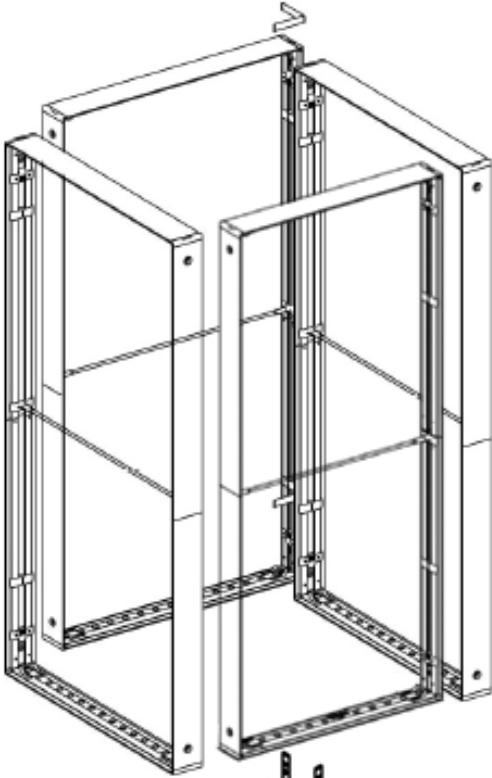
## SINGLE FRAME ASSEMBLY



\*Foot Installation is not required for tower configuration



## FRAME CONNECTION



Each corner will require (qty 2) SEGO-ILCON  
(qty 8) SEGO-ILCON is required for the bottom level  
and (qty 8) SEGO-ILCON is required for the top level

We recommend show site installation team of 3-4  
people for configuration setup  
2 tall ladders or scissor lift will also be required

1. Start by assembling each frame individually
2. Connect the 4 bottom level frames to form the base
3. Insert the SEGO-SPOLES into the each corner slot
4. Stack each top level frame individually and connecting the SEGO-ILCON as you go
5. Once tower frame has been assembled, skin each frame individually to complete setup