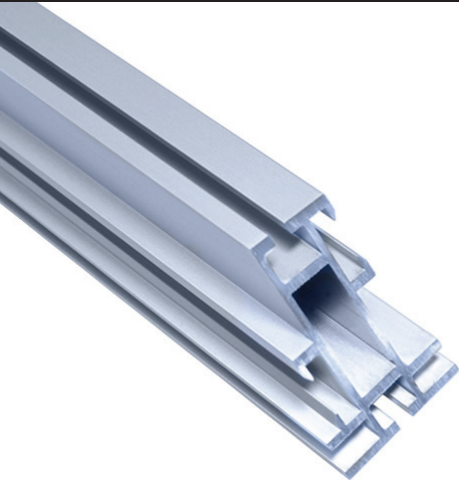


1.6in WALL/FLOOR SEG

SKU: AFWM (Wall Mount)
AFFS (Free Standing)



Product Overview

This profile has a width of 40mm. (1.6in.). Making this single-sided SEG extrusion the thinnest of them all. Less than half the profile width of 1.6in WALL/FLOOR SEG, the outside finish is solid and smooth aluminum. This profile is suitable for wall mounted and free standing displays. The silicone beading can fit 12mm. (.47 in) deep and 3 mm. (.15 in.) wide into the trough of the frame. Not compatible with lights (cannot be backlit).

Quick Install and Set Up Overview

Remove extrusion and parts out of your packaging. Layout out your pieces. Find one of your "L" Brackets with screw. Insert one of corner "L" brackets to the end of one of the extrusion stick. Tighten the brackets with the Allen Wrench provided. Then repeat with all the corners.

Wall Mount

Next you'll want to pre-drill in your wall mounts (Provided with Graphic Package options). Start with the wall mounts that will hold the top extrusion. Evenly space them out under the top extrusion frame. Don't forget to level the wall mounts. Once you have your frame and top wall mounts set. Hang the extrusion on top of the wall mounts. Then drill in the remaining wall mounts inside of the bottom extrusion to set in place your frame. Wall mounts will be hidden once you place your graphic on to the frame.

Free Standing

Flat feet attach to the bottom of the frame with thru bolts and wing nuts.

Then place your SEG (Silicone Edge Graphic) Graphics into the frame grooves, keeping a tight and finished look.

Features:

- Material: Stretch Fabric
- Print Process: Dye Sub Printing
- Warranty: One (1) year on graphics

What is SEG (Silicone Edging Graphics)?

SEG is a fabric graphic finished with a thin silicone strip. The silicone strip is sewn directly to the edge of the graphic, and the strip is then inserted into a frame with a recessed groove.

Product Applications:

- Decoration for home & office
- Retail store advertising
- Locker rooms
- and Much more

AVAILABLE OPTIONS:



Flat Foot

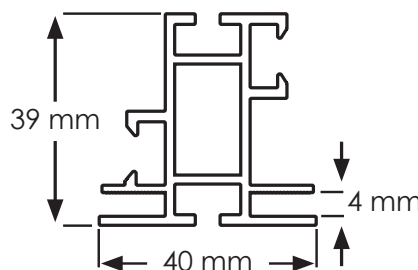


Wall Mounts



Corner Connector

*Split Connector



Graphic Package Includes:

- Frame w/ L corner Brackets
- Flat feet or Wall Mounts
- Single-sided Fabric Graphics w/SEG Finishing

Graphic Only Includes:

- Single-sided Fabric Graphics w/SEG Finishing

*Split Connectors join frame profiles inline

CARE SHEET - DYE-SUB FABRIC

HANDLING TIPS

1. Wrinkles can be removed with cool iron or fabric steamer.
2. For storing graphics please remove from plastic packaging that was provided and keep fabric in cool/dry place. Fabric should NOT be stored when damp or wet.
3. Do NOT iron directly on printed sections of fabric.

STAIN TREATMENT

1. Treat stain from backside of fabric.
2. Remove as much debris as possible with a soft bristle brush (do NOT rub too hard).
3. Use a clean, lint-free white cloth. Lightly pat the stain from the outside moving in (to keep stain from spreading).
4. If a cleaning solution is used, rinse the area well with water to ensure NO solution is left on fabric.
5. Most stains can be treated with household fabric stain removers. It is ALWAYS important to test how the solution will react to the fabric. This can be tested by dabbing solution to a small corner of the fabric. Most household cleaners will provide treatment instructions depending on the type of stain.

WASHING

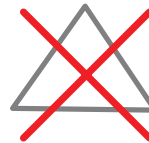
1. Your fabric graphic can be machine washed. Use MILD soap and cool water. Air dry fabric, dry on frame if frame is available.
2. Fabric must be COMPLETELY dry prior to storing.
3. DO NOT DRY CLEAN



- Wrinkles can be removed from fabric with a cool iron or steamer.



- Fabric can be machine washed - use cold water, delicate cycle.



- Do NOT bleach fabric



- Do NOT tumble dry. Fabric must be air dried on the frame to prevent shrinking.